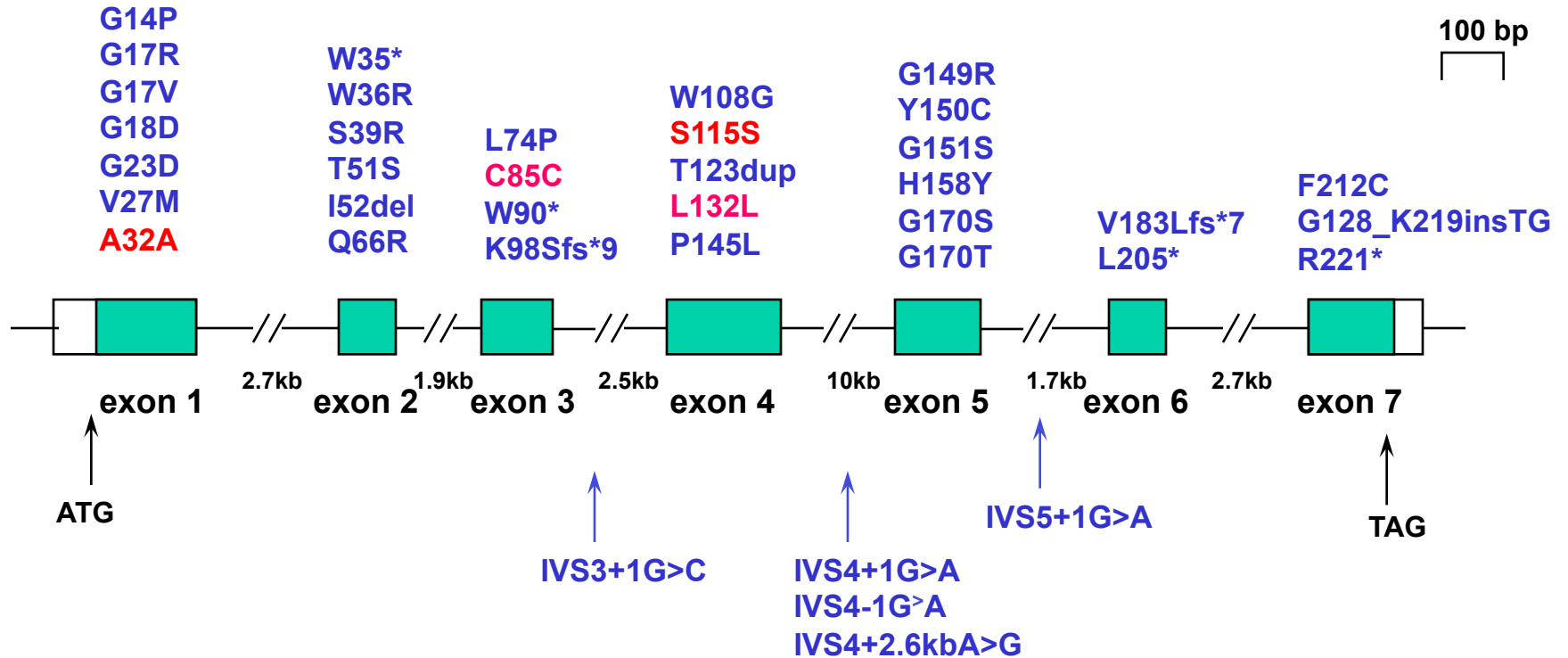


Genomic organization and location of mutations in human *QDPR* gene

4p15.3



red = polymorphism